

JBK型框式搅拌机

JBK Frame Type Mixer

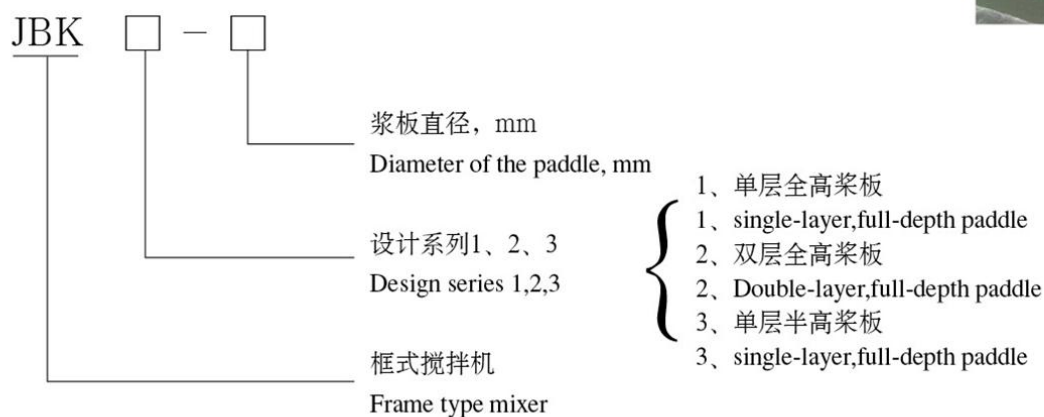
用途 Usage

框式搅拌机用于给水厂、污水处理厂等场所投加药剂的溶解搅拌。

The frame type mixer is used for agitating the solution of the dosage in water plant, sewage treatment plant and so on.



型号表示方法 Type code



主要技术参数及安装尺寸

Main Technical Parameters and Installation Dimensions

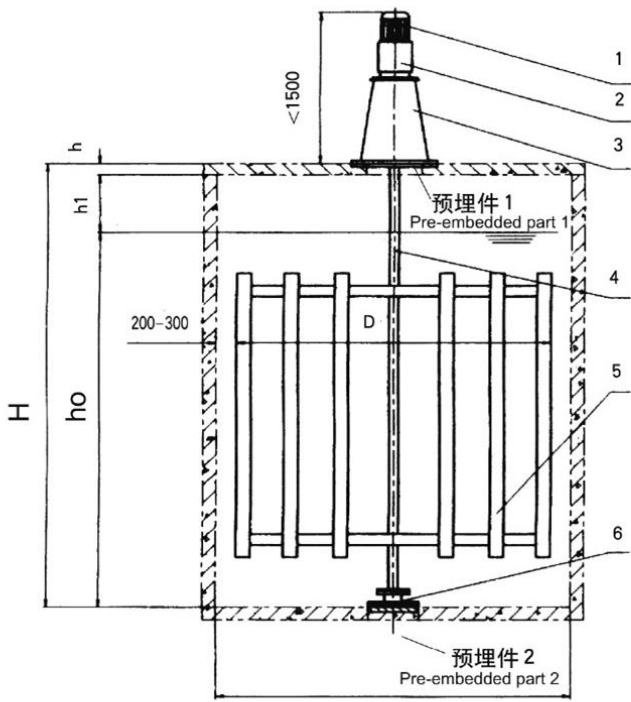
参数Parameters 型号Model	池型尺寸 Pond dimension (m)		搅拌机尺寸 agitator dimension (mm)			电机功率 Motor power (kW)			工作转速 Operating rotate speed (r/min)		
	A × B	H	D	h0	h1	I	II	III	I	II	III
JBK-1700	2.2×2.2	3.4	1700	2600	400	0.75	0.37	0.37	8	5.2	3.9
JBK-2875	3.25×3.25	4	2875	3500	350				5.2	3.9	3.2
JBK-3000	3.5×3.5	3.55	3000	2200	550	0.37	0.25	0.18	3.9	2.5	1.8
JBK-3850	4.3×4.3	4	3850	1200		1.1	0.75	0.55			1.5
	4.7×4.7	3.4		1400		3.2	2.5				

注：可根据用户要求作特殊设计

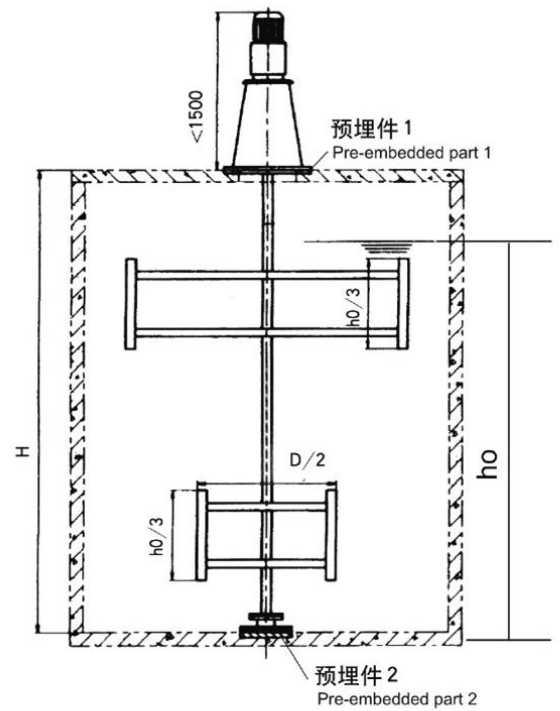
Note: Special design can be made according to user's requirments.

JBK型框式搅拌机外形安装图

Outside Installation Drawing for JBK Frame Type Mixer

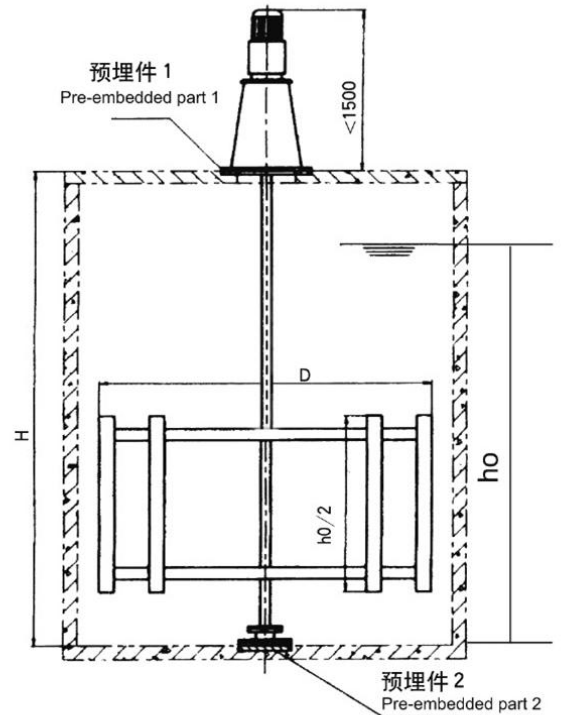
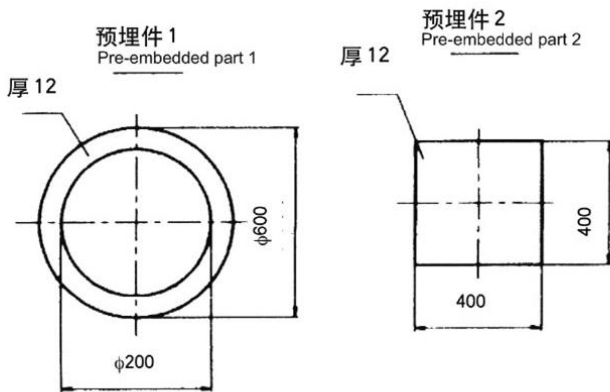


1、单层全高桨板
1. Single-layer, full-height paddle board



2、双层全高桨板
2. Double-layer, full-height paddle board

- 1、电机 2、减速机 3、支座
- 4、搅拌轴 5、桨板 6、水下支座
- 1. Motor 2. Speed reducer
- 3. Supporting base 4. Mixing shaft
- 5. Paddle board 6. Underwater supporting base



3、单层半高桨板
3. Single-layer, half-height paddle board